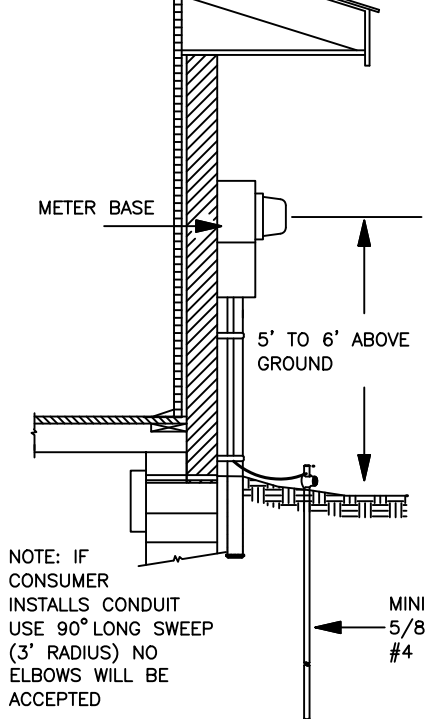
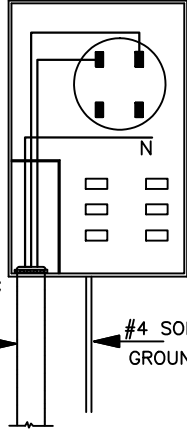


CHELCO SPECIFICATIONS FOR SINGLE PHASE UNDERGROUND SERVICE ENTRANCE



320 AMP OR LESS
 CHELCO WILL DESIGNATE THE METER LOCATION
 AND SERVICE ROUTE

200 TO 320 AMP POWER
 PANEL CAN BE USED
 (IF POWER PANEL IS
 USED MUST HAVE CHASE
 ON LEFT SIDE FOR
 CHELCO WIRE FEED)



3" SCHEDULE 80 PVC
 30" BELOW FINAL
 GRADE TO BOTTOM
 OF PANEL
 (INSTALLED BY
 CONSUMER)

#4 SOLID COPPER
 GROUND

NOTE: IF
 CONSUMER
 INSTALLS CONDUIT
 USE 90° LONG SWEEP
 (3' RADIUS) NO
 ELBOWS WILL BE
 ACCEPTED

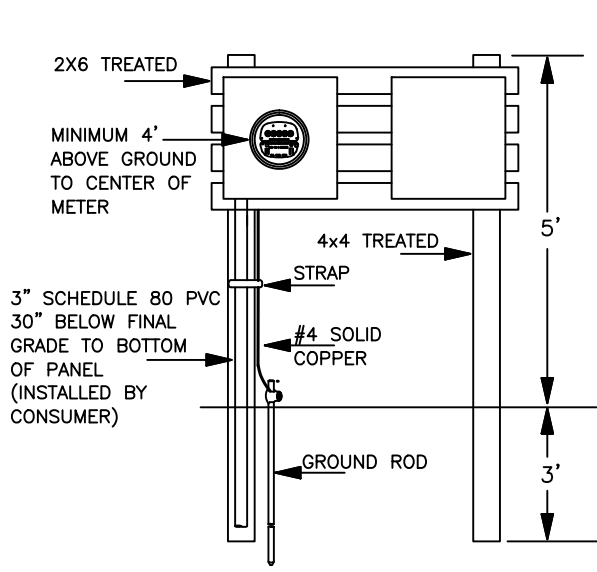
MINIMUM 8' APPROVED
 5/8" GROUND ROD WITH
 #4 COPPER WIRE

CHELCO WIRE WILL BE
 INSTALLED 36" DEEP

NOTE: NO MORE THAN TWO (2) SWEEP 90°
 TURNS WILL BE PERMITTED IN ANY SPACE

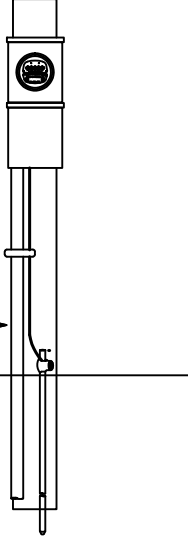
MOBILE HOME PEDESTAL

NOTE: 200 AMP OR LESS, INSTALL TWO(2) 8' TREATED 4X4 POSTS (NEW)
 3' DEEP AND 5' ABOVE GROUND, OR A SINGLE 8' TREATED 6X6 POST (NEW) 3'
 DEEP AND 5' ABOVE GROUND. UNDERGROUND SPECIFICATIONS SAME AS HOUSE.



200 AMP METER BASE
 AND PANEL (TO BE RAIN
 TIGHT) OR
 200 AMP POWER PANEL
 CAN BE USED (IF POWER
 PANEL IS USED MUST
 HAVE CHASE ON LEFT
 SIDE FOR CHELCO WIRE
 FEED)

6X6 TREATED



3" SCHEDULE 80 PVC
 30" BELOW FINAL
 GRADE TO BOTTOM
 OF PANEL
 (INSTALLED BY
 CONSUMER)

SPECIFICATIONS FOR SINGLE PHASE UNDERGROUND SERVICE ENTRANCE

AUG. 2009

CHELCO