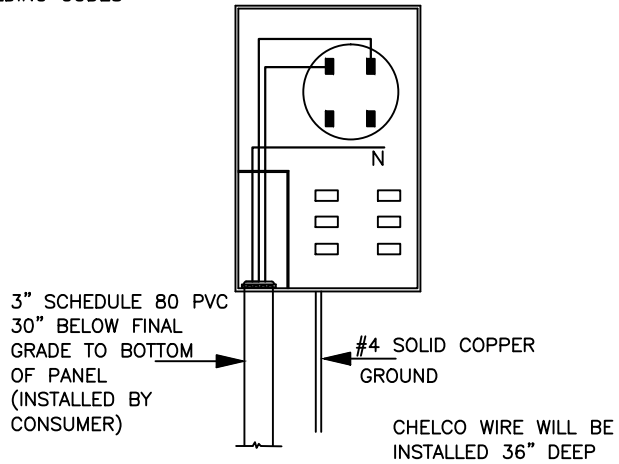
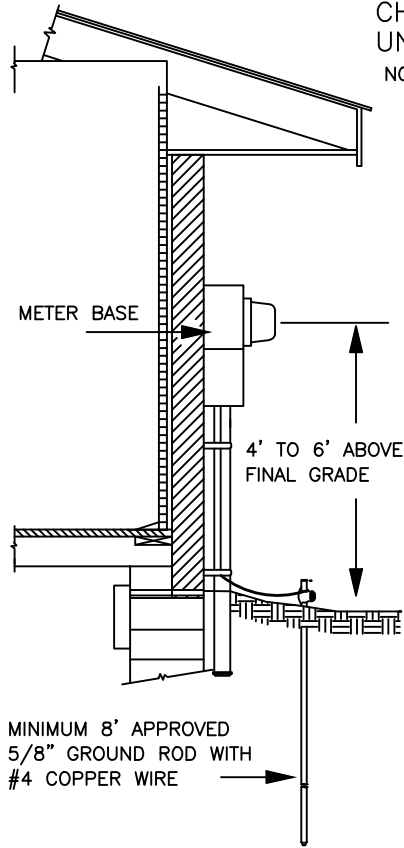


## CHELCO SPECIFICATIONS FOR SINGLE PHASE UNDERGROUND SERVICE ENTRANCE

**NOTES:**

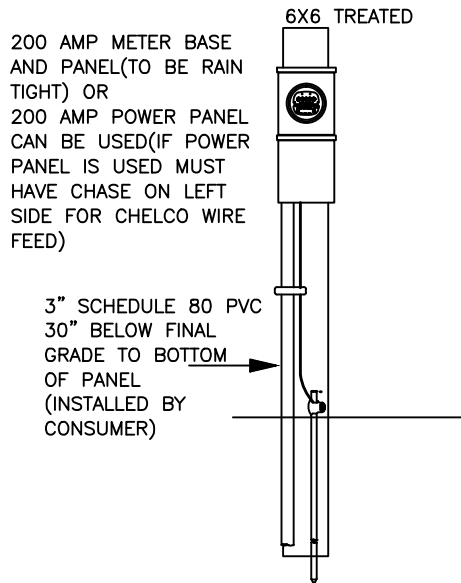
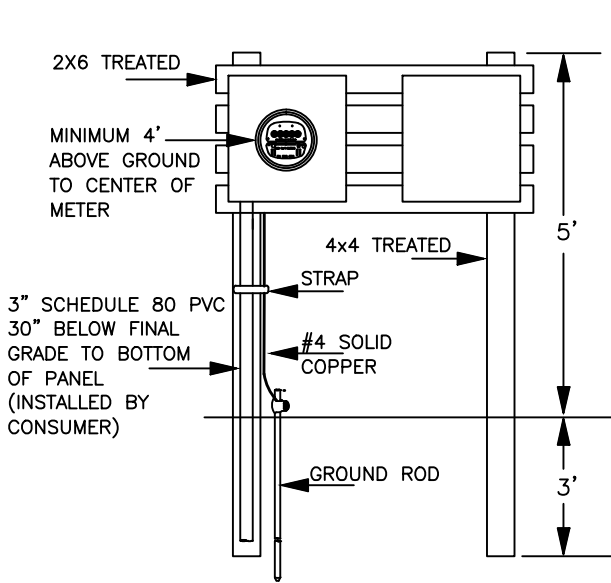
- (1) 200 TO 320 AMP POWER PANEL CAN BE USED (IF POWER PANEL IS USED MUST HAVE CHASE ON LEFT SIDE FOR CHELCO WIRE FEED)
- (2) 320 AMP OR LESS CHELCO WILL DESIGNATE THE METER LOCATION AND SERVICE ROUTE
- (3) IF CONSUMER INSTALLS CONDUIT USE 90° SWEEP (3' RADIUS) NO ELBOWS WILL BE ACCEPTED
- (4) NO MORE THAN TWO (2) SWEEP 90° TURNS ARE PERMITTED
- (5) ALWAYS CALL 811 BEFORE DIGGING
- (6) CONTACT YOUR COUNTY BUILDING DEPARTMENT FOR LOCAL BUILDING CODES



## MOBILE HOME SERVICE ENTRANCE

**NOTES:**

- (1) 200 AMP OR LESS, INSTALL TWO(2) 8' TREATED 4X4 POSTS (NEW) 3' DEEP AND 5' ABOVE GROUND, OR A SINGLE 8' TREATED 6X6 POST (NEW) 3' DEEP AND 5' ABOVE GROUND. UNDERGROUND SPECIFICATIONS SAME AS HOUSE.
- (2) ALWAYS CALL 811 BEFORE DIGGING
- (3) CONTACT YOUR COUNTY BUILDING DEPARTMENT FOR LOCAL BUILDING CODES



## SPECIFICATIONS FOR SINGLE PHASE UNDERGROUND SERVICE ENTRANCE

DEC. 2013

CHELCO